

External Chamber for Radar 'ECR'



Pune Techtrol Pvt Ltd
Innovating Level Controls Since 1984

Used for external mounting of Radar on pressure vessels, where

- 1) Space is limiting factor or limitations due to installation of stirrer / heater within the tanks
- 2) The effect of liquid boiling or splashing due to turbulence on level measurement has to be minimized

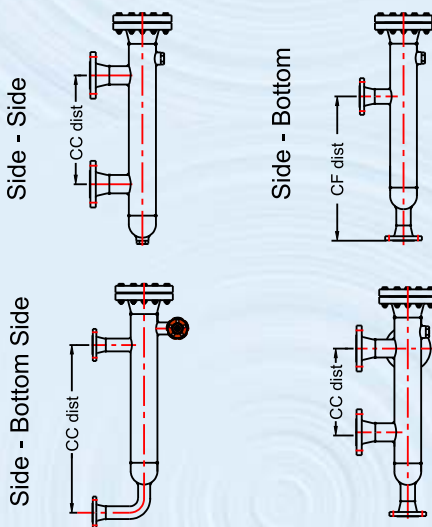
Features

- Designed to ASME B 31.3 / IBR 1950 standard
- Welding as per ASME section IX & IBR
- Welders qualified as per ASME Sec IX & IBR
- Certification as per EN 102043.1B
- Full penetration circumferential welds to increase integrity
- Radiography on butt weld joints
- Available in Carbon Steel & Stainless Steel MOC, other material on demand
- Wide range of materials available SS304 / SS304L, SS316 / SS316L
- Carbon Steel Duplex and many others
- Industry preferred Weld Neck flanges
- Pressure rating upto 1500 #
- Variety of process connections / Vent, Drain options
- Hydrostatic test at 1.5 x rated pressure
- Option of NACE / PMI / PWHT / Radiography certification
- Choice of mounting style

Specifications

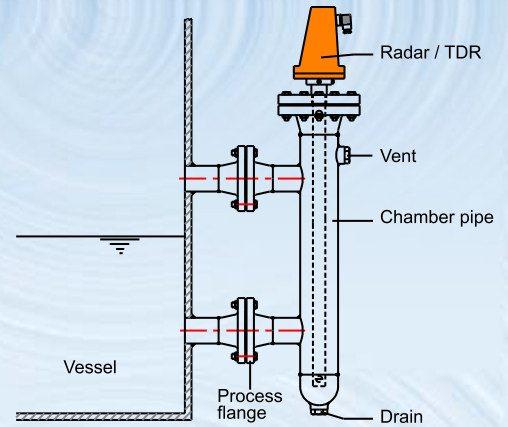
Chamber pipe /	: ASTM A 312 TP SS304/SS304L/ SS316/SS316L/SS321/CS (A-106)
Chamber Pipe Size	: 2" / 3" / 4" NB
Process Connection MOC	: ASTM A 182 F SS304/SS304L/SS316 /SS316L / SS321 / CS (A-105)
Process Connection type	: Flanged (RF / RTJ)
Vent / Drain	: Plug or Ball / Globe valve
Max Test Pressure	: upto 1500 #
Max Temperature	: 300°C - High Pressure & Temp. on demand
Certification (option)	: NACE / PMI, PWHT & Radiography

Mounting Style



Ordering information :
Specify Model no x CC dist x
Liquid name & Sp. Gr. and
optg. Temp & Pressure

Installation



Model Identification No :

ECR-	[]	[]	[]	[]	[]	[]	[]	[]	[]	x CC dist (mm)
Mounting Types	Side-Side	Side-Bottom	Side-Bottom Side	Non-Std						
	A	B	C	O						
Chamber x Process Connection MOC	CS (A-106) x CS (A-105)	SS304 x SS304	SS316 x SS316	Non-Std						
	C	N	S	O						
Chamber pipe Size	2"NB	3"NB	4"NB	Non-Std						
	1	2	3	O						
Process Connection Size	25NB	40NB	50NB	Non-Std						
	1	2	3	O						
Process Connection Type	Flanged	Non-Std								
	1	O								
Vent x Drain	1/2"Plugs	1/2"Plug x 1/2" Valve	1/2"Valve x 1/2" Valve	Others						
	1	2	3	O						
Approval	Non IBR	IBR (Metallic)								
	W	B								

Pune Techtrol Pvt Ltd

S-18, MIDC, Bhosari, Pune - 411026. India

Tel. : +91-20-66342900, 27121052

Fax : +91-20-66342998

E-mail : ho@punetechtrol.com

Web : www.punetechtrol.com

We reserve the right to modify design and specifications without prior notice.



Area Representative / Distributor :

CAT/0093/Rev-00/12-13