

External Chambers for Top Mounted Switches / X'mitters with IBR option "ECT"



SINCE 1984

Used for external mounting of Level Switches / X'mitters on pressure vessels, where

- 1) Space where the tank is small or limited due to installation of stirrer/ heater within the tanks.
- 2) The effect of liquid boiling or splashing due to turbulence on level measurement has to be minimized.

A wide range of external chambers are available with variety of MOC's, process connections, orientation & sizes, to suit process liquid & conditions.

Specifications:

- Chamber / Side arm MOC : CS / CS (A-106) / SS304 / SS316 / PP
(Rubber /FRP /Ptfе lined chambers on demand)
- Chamber Size : 2" / 3"/4" depend upon float / displacer size
- Process Connection MOC : CS / CS (A-105) / SS304 / SS316 or PP
- Process Connection type : Flanged, Screwed, Socket weld or Bare pipe
- Vent / Drain : Plug or Ball / Globe valve
- Max Test Pressure : 10Kg/cm² / 2Kg/cm² (PP / Lined chamber)
- Max Temperature : 100°C / 70°C (PP / Lined chamber)
High Pressure & Temperature on demand
- Option : IBR certification



Mounting Types :

Type - A			Type - B			Type - C		
Socket weld	Screwed	Bare pipe	Socket weld	Screwed	Bare pipe	Socket weld	Screwed	Bare pipe

Model Identification No. ECT :

--	--	--	--	--	--	--

Mounting Types

- Side-Side _____ **A**
- Side-Bottom Side _____ **B**
- Side-Bottom _____ **C**
- Others _____ **O**

Chamber x Process Connection MOC

- CS x CS _____ **M**
- CS (A-106) x CS (A-105) _____ **C**
- SS304 x SS304 _____ **N**
- SS316 x SS316 _____ **S**
- PP x PP _____ **P**
- Others _____ **O**

Chamber Size x Float Size

- 2"NB x Ø50 _____ **1**
- 3"NB x Ø60 _____ **2**
- 4"NB x Ø75 _____ **3**
- Others _____ **O**

Process Connection Size

- 25NB _____ **1**
- 40NB _____ **2**
- Others _____ **O**

Process Connection Type

- Flanged _____ **1**
- Screwed _____ **2**
- Weldable socket _____ **3**
- Bare pipe end _____ **4**

Vent x Drain

- 1/2" Plugs _____ **1**
- 1/2" Plug x 1/2" Valve _____ **2**
- 1/2" Valve x 1/2" Valve _____ **3**
- Others _____ **O**

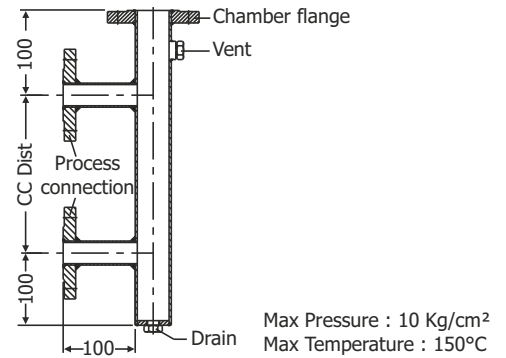
Approval

- Non IBR _____ **W**
- IBR (Metallic) _____ **B**

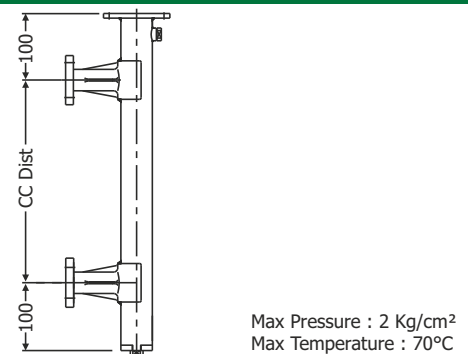
Ordering information :

Specify Model no x CC dist x Liquid name & Sp. Gr. and optg. Temp & Pressure

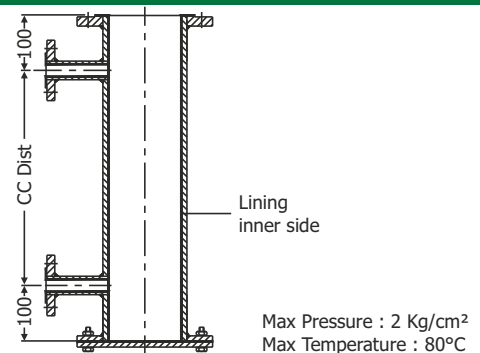
Construction (metallic)



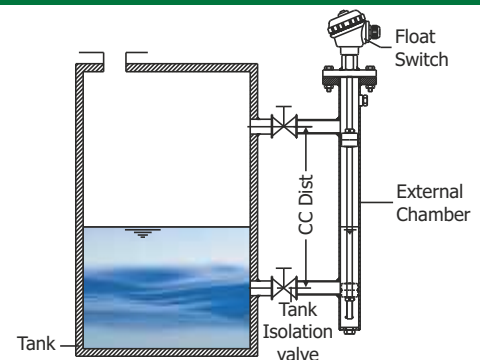
Construction (PP)



Construction (lined chamber)



Installation



All dimensions in mm, except specified.

PUNE TECHTROL PVT LTD

S-18, MIDC, Bhosari, Pune : 411026 India

+91-20-66342900, 27121052

+91-20-66342998

ho@punetechtrol.com

www.punetechtrol.com



R A T E D

NSIC-CRISIL SE-1A

AREA REPRESENTATIVE / DISTRIBUTOR :